

ReconBlockage™

Installation Manual

Document number 600840-000069

Revision 2.2

Last revised: February 13, 2025



ReconBlockage™ Installation Manual

© 2024-2025 Precision Planting LLC. All Rights Reserved.

ReconBlockage Installation Manual. All content within is copyrighted by Precision Planting LLC and may not be reprinted without permission.

The content of this manual is furnished for informational use only, is subject to change without notice, and should not be construed as a commitment by Precision Planting LLC. Precision Planting LLC assumes no responsibility or liability for any errors or inaccuracies that may appear in the content contained in this guide.

Recon and ReconBlockage are trademarks or registered trademarks of Precision Planting LLC. Precision Planting and the Precision Planting logo are trademarks or registered trademarks of Precision Planting LLC. iPad is a registered trademark of Apple Inc., registered in the U.S. and other countries. App Store is a service mark of Apple Inc. All other trademarks are property of their respective owner.

Precision Planting LLC, 23207 Townline Rd, Tremont, IL 61568 USA.

Visit us online at precisionplanting.com
Questions? E-mail us at support@precisionplanting.com

Table of Contents

Related Documentation.....	5
1. Introduction.....	6
2. Installing Flow Sensors.....	7
3. Installing ECUs.....	10
3.1. Determining your ECU Mounting Orientation	12
3.2. Installing the ECUs.....	12
4. Connecting Auditory Tubes to ECUs.....	18
5. Installing the Work Switch.....	20
5.1. Installing the Work Switch.....	21
5.2. Verifying Work Switch Installation	21
6. Installing the Gateway	22
7. Installing the Wi-Fi Antenna	24
8. Installing Harnessing.....	27
8.1. Installing 10’ ECU Harnesses (353050-000099) (dual-shoot and triple-shoot only)	28
8.2. Installing 20’ ECU Harnesses (353050-000097).....	28
8.3. Installing the Gateway Harness (353050-000108 or 353050-000101)	28
8.4. Installing the Gateway Extension Harnesses (353050-000103) (Tow-Between Only)	29
8.5. Installing the Power Harness (353050-000098)	29
8.6. Installing the Tractor Harness (353050-000100).....	29
8.7. Securing Loose Harnessing.....	29
9. Installing the iPad Mount and App.....	30
9.1. Installing the iPad Mount	30
9.2. Downloading the ReconHub app.....	31
9.3. Connecting the iPad to the Wireless Network	31
Appendix A: Wiring Harness Diagrams	33
Appendix B: System Configuration Table.....	43

List of Figures

- Figure 1: Flow sensor7
- Figure 2: Flow sensor installation location7
- Figure 3: Installing flow sensors on a manifold8
- Figure 4: Installing flow sensors on on-frame tanks8
- Figure 5: Correctly placing the hose clamps9
- Figure 6: ECU10
- Figure 7: ECU installation location11
- Figure 8: ECU installed on a tower (standard installation)12
- Figure 9: Installing the ECUs from left to right12
- Figure 10: Securing ECU to brackets13
- Figure 11: ECU installed on a tower (horizontal installation)14
- Figure 12: Installing the ECUs from left to right14
- Figure 13: Securing ECU to brackets15
- Figure 14: ECU installed on an SR-75016
- Figure 15: Securing ECU to SR-750 bracket17
- Figure 16: Auditory tube18
- Figure 17: Order to connect flow sensors to ECU19
- Figure 18: Work switch20
- Figure 19: Work switch mounting location20
- Figure 20: Work switch functionality21
- Figure 21: Mounting a gateway22
- Figure 22: Example gateway mounting locations23
- Figure 23: Mounting the Wi-Fi antenna24
- Figure 24: Example Wi-Fi antenna mounting locations25
- Figure 25: Gateway connections26
- Figure 26: Installing the iPad mount30

Related Documentation	
Document Number	Document Title
600820-000044	ReconBlockage Quick Reference Guide
600820-000045	ReconBlockage Troubleshooting Guide
600890-000075	ReconBlockage Operator's Guide

1. Introduction

About ReconBlockage™

ReconBlockage by Precision Planting® is an acoustic-based monitoring system that quickly and accurately notifies operators of blockages anywhere in their implement. Operators interact with the system via an iPad® app in the tractor cab.

Use the ReconHub app on your iPad® to monitor your system's performance. For instructions to configure the system after installation and use the app, see the ReconBlockage Operator's Guide from the app's About and Support tab.

For current documentation, iPad and software requirements, and other resources, visit cloud.precisionplanting.com/product-resources.

Required Tools and Equipment

You will need the following tools and equipment to install ReconBlockage:

- Standard wrench and socket sets
- Measuring tape
- Cutting tool, such as a PEX tubing cutter, box cutter, or shears
- Pliers
- Phillips screwdriver
- Cordless drill and/or flathead screwdriver (optional)
- Paint pen or other permanent marking tool (optional)

Installation Overview

ESTIMATED INSTALL TIME: 6 hours

- Install flow sensors
- Install ECUs
- Connect auditory tubes to ECUs
- Install work switch
- Install gateway
- Install Wi-Fi antenna
- Install harnessing
- Install iPad mount and download app

2. Installing Flow Sensors

Flow sensors detect when product is flowing through the run.

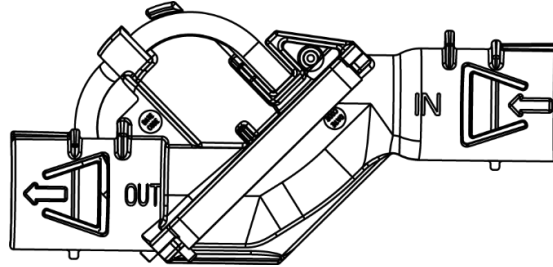


Figure 1: Flow sensor

Provided Parts

Part Name	Part Number	Quantity
1-inch flow sensor <i>or</i> 1.25-inch flow sensor	153510-000022 <i>or</i> 153510-000066	1/run
Adapter (optional)	353070-000022 <i>or</i> 353070-000112 <i>or</i> 353070-000252	2/run
Hose clamp	356060-000025	2/run

Tools Needed

- 5/16 inch socket, 5/16 inch nut driver on a cordless drill, or a flathead screwdriver
- Measuring tape
- Cutting tool, such as a PEX tubing cutter, box cutter, or shears

Installation Location

Installed at the beginning of every final run hose.



Figure 2: Flow sensor installation location

Installing Flow Sensors

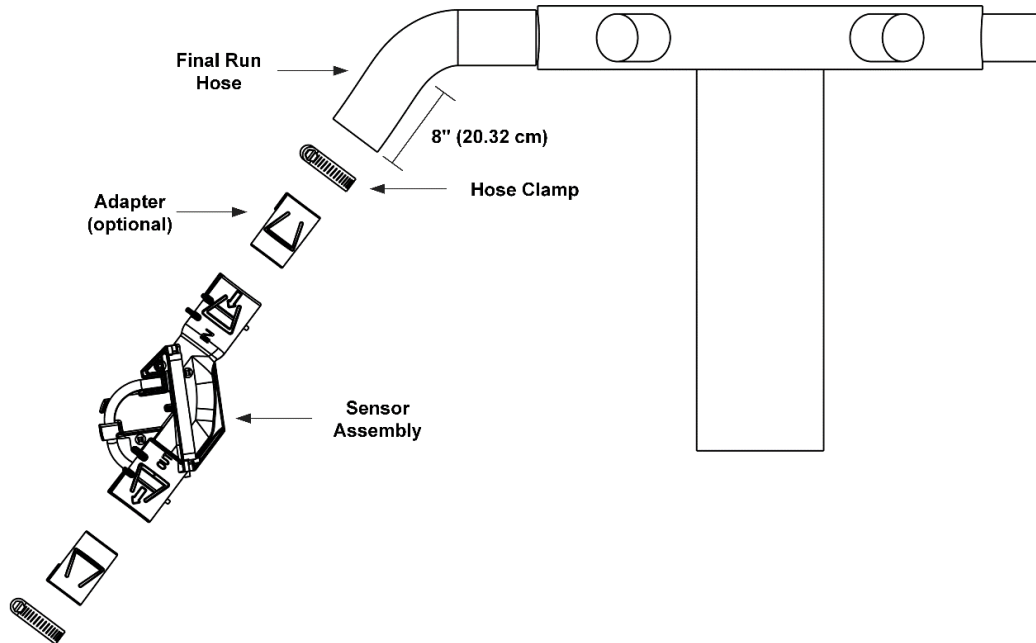


Figure 3: Installing flow sensors on a manifold

1. If you are using adapters, snap them into the sensor in the orientation shown in Figure 3.
2. Cut each original run hose.
 - **Standard (manifold) installation:** Cut each original run hose to about 8 inches (20 cm), or other length that allows for a downward flow and appropriate fit once the sensor and adapters (if applicable) are installed.
 - **On-frame tank installation:** Alternate between cutting run hoses to about 8 inches (20 cm) and cutting to a longer length so that the sensors are staggered along the tank, as shown in the image below.



Figure 4: Installing flow sensors on on-frame tanks

3. Orient the sensor (153510-000022 or 153510-000066) so that the flow arrows point away from the manifold or tank. Slide a sensor assembly on each final run hose piece until the hose piece hits the backstop inside of the sensor assembly. Make sure that you install the sensor so that the auditory tube is pointing up.
4. Secure using a hose clamp (356060-000025) between the two ridges on the end of the sensor assembly, ensuring that the hose clamp lays flat and the head (worm drive) does not hit the sensor ridge, as shown in Figure 5.



Figure 5: Correctly placing the hose clamps

5. Slide the remaining final hose piece into the lower end of the sensor assembly until the hose piece hits the backstop inside of the sensor assembly. Secure using a hose clamp between the two ridges on the end of the sensor assembly, ensuring that the hose clamp lays flat, and the head (worm drive) does not hit the sensor ridge.

3. Installing ECUs

Electronic Control Units (ECUs) communicate the flow measurement data recorded by the flow sensors to the gateway.



Figure 6: ECU

Provided Parts

Part Name	Part Number	Quantity
ECU	153510-000182	varies
3/8" locknut	352011-000045	2/ECU
3/8" flat washer	352012-000031	4/ECU
2.5" diameter U-bolt <i>or</i> 5" diameter U-bolt	352013-000007 <i>or</i> 356060-000108	1-2/manifold
Vibration damping mount	353070-000239	2/ECU
ECU mounting bracket	353070-000490	2/manifold
3/8" x 2.5" bolt	356060-000237	2/ECU

Optional Kits

Horizontal Mounting Kit

Part Name	Part Number	Quantity
3/8" locknut	352011-000045	2/ECU
3/8" flat washer	352012-000031	4/ECU
ECU mounting bracket	353070-000490	1/manifold
3/8" x 1" bolt	356060-000400	2/manifold

SR-750 Mounting Kit

Part Name	Part Number	Quantity
3/8" locknut	352011-000045	2/ECU
3/8" flat washer	352012-000031	2/ECU
ECU mounting bracket	353070-000544	1/ECU
3/8" x 1.25" carriage bolt	356060-000457	2/ECU

Tools Needed

- Standard socket set

Installation Location

Installed underneath each implement manifold.

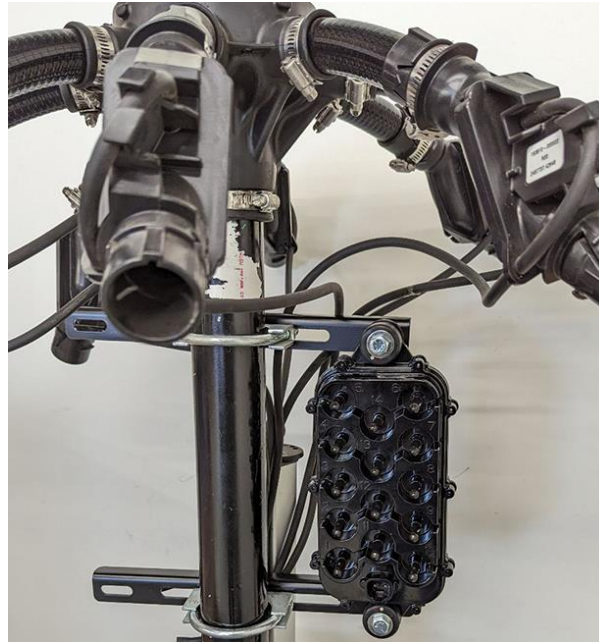


Figure 7: ECU installation location

3.1. Determining your ECU Mounting Orientation

Most installations will use the *Standard (Vertical)* installation instructions on page 12.

Other ECU orientations:

- If your dealer ordered you a **horizontal mounting kit**, use the instructions in *Horizontal Installation* on page 14.
- If you're installing on a **SeedMaster SR-750**, use the instructions in *SR-750 Installation* on page 16.
- If you're installing on a different SeedMaster system with an **on-frame tank** (not SR-750), use the instructions in *Horizontal Installation* on page 14.

3.2. Installing the ECUs

NOTE: There is a maximum of 30 total ECUs and 10 ECUs per airstream.

Standard (Vertical) Installation

Most installations will use the standard (vertical) installation.



1 ECU per manifold



2 ECUs per manifold

Figure 8: ECU installed on a tower (standard installation)

NOTE: ECUs can be mounted in any order; however, we recommend installing the ECUs in numeric order from left to right (when facing the back of the tractor) based on the ECU's serial number. The serial number is on the front of the ECU. Use the table in Appendix B to record your system setup.



Figure 9: Installing the ECUs from left to right

1. Determine the number of ECUs (153510-000182) you need per manifold. The number of ECUs you use depends on the number of runs per manifold.

Runs per Manifold	ECUs
7 or fewer	1 ECU for 2 manifolds
8-14	1 ECU per manifold
More than 14	2 ECUs per manifold

2. Secure the top and bottom of the ECU to a bracket using a 3/8" x 2.5" bolt (356060-000237), washers (352012-000031), vibration damping mount (353070-000239), and locknut (352011-000045) as shown in Figure 10. Hand tighten.

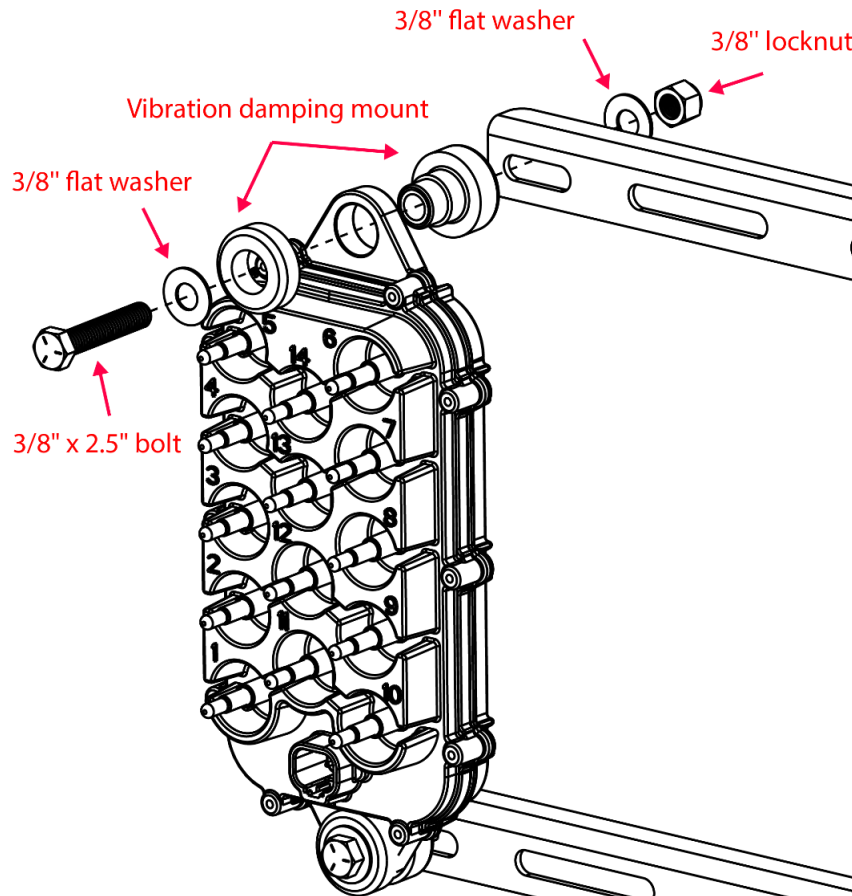


Figure 10: Securing ECU to brackets

3. If you're using 2 ECUs per manifold, install another ECU onto the other end of the brackets.
4. Orient the ECU so that the LED faces the tractor (recommended). Use u-bolts (352013-000007 or 356060-000108) to secure the center of the brackets to the manifold post, right below the manifold. Hand tighten.
5. Adjust the assembly as needed and fully tighten the hardware.

Horizontal Installation

If your dealer ordered you a horizontal mounting kit or you're installing on a SeedMaster system with an on-frame tank (not SR-750), use the instructions below.



Figure 11: ECU installed on a tower (horizontal installation)

NOTE: ECUs can be mounted in any order; however, we recommend installing the ECUs in numeric order from left to right (when facing the back of the tractor) based on the ECU's serial number. The serial number is located on the front of the ECU. Use the table in Appendix B to record your system setup.



Figure 12: Installing the ECUs from left to right

1. Determine the number of ECUs (153510-000182) you need per manifold. The number of ECUs you use depends on the number of runs per manifold.

Runs per Manifold	ECUs
7 or fewer	1 ECU for 2 manifolds
8-14	1 ECU per manifold
More than 14	2 ECUs per manifold

- Secure the top and bottom of the ECU to a bracket using a 3/8" x 2.5" bolt (356060-000237), washers (352012-000031), vibration damping mount (353070-000239), and locknut (352011-000045) as shown in Figure 13. Hand tighten.

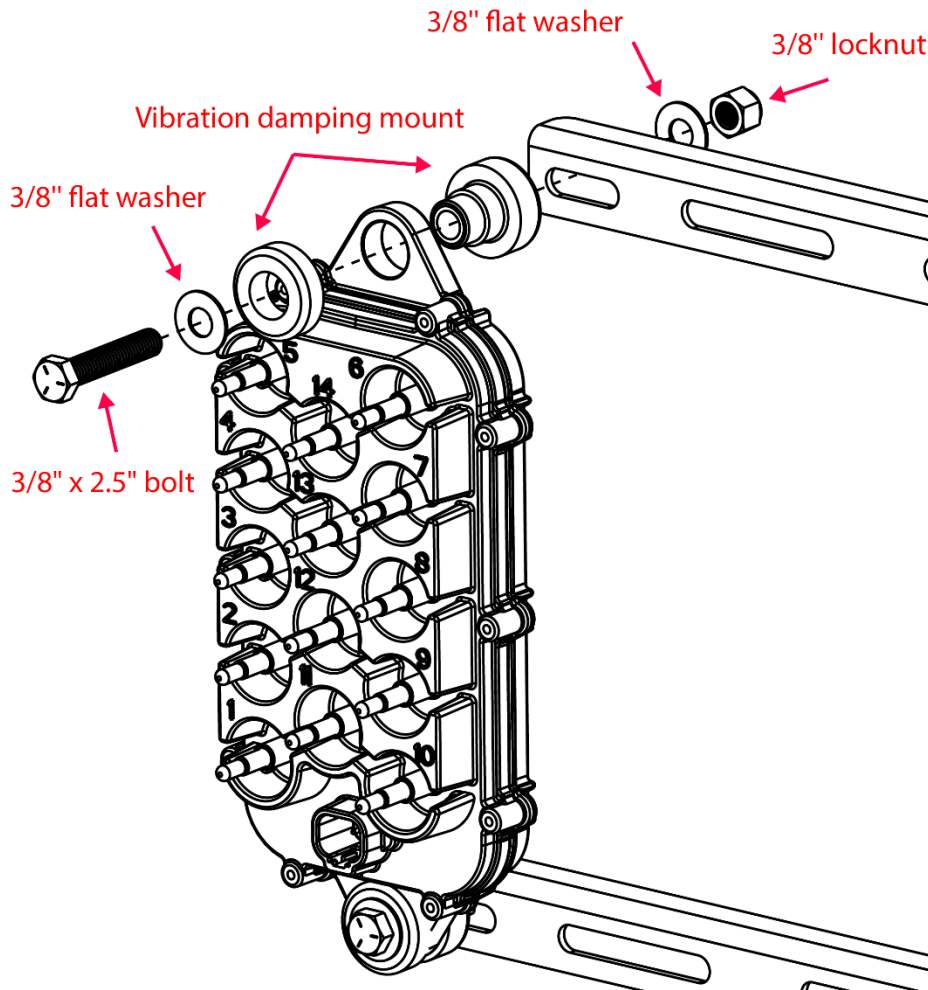


Figure 13: Securing ECU to brackets

- If you're using 2 ECUs per manifold, install another ECU onto the other end of the brackets.
- Use 3/8" x 1" bolts (356060-000400), washers (352012-000031), and locknuts (352011-000045) to install a third bracket across the center of the two brackets, as shown in Figure 11.
- Orient the ECU so that the LED faces the tractor (recommended). Use a u-bolt (352013-000007 or 356060-000108) to secure the center bracket to the manifold post. Hand tighten.
- Adjust the assembly as needed and fully tighten the hardware.

SR-750 Installation

If you're installing on a SeedMaster SR-750, use the instructions below.



Figure 14: ECU installed on an SR-750

NOTE: ECUs can be mounted in any order; however, we recommend installing the ECUs in numeric order from left to right (when facing the back of the tractor) based on the ECU's serial number. The serial number is located on the front of the ECU. Use the table in Appendix B to record your system setup.

NOTE: SR-750 installations will not use the brackets and u-bolts included in the standard ECU kit. Use the brackets in the SR-750 bracket kit.

1. Secure the top and bottom of the ECU to a bracket using a 3/8" x 2.5" bolt (356060-000237), washers (352012-000031), vibration damping mount (353070-000239), and locknut (352011-000045) as shown in Figure 15. Hand tighten.

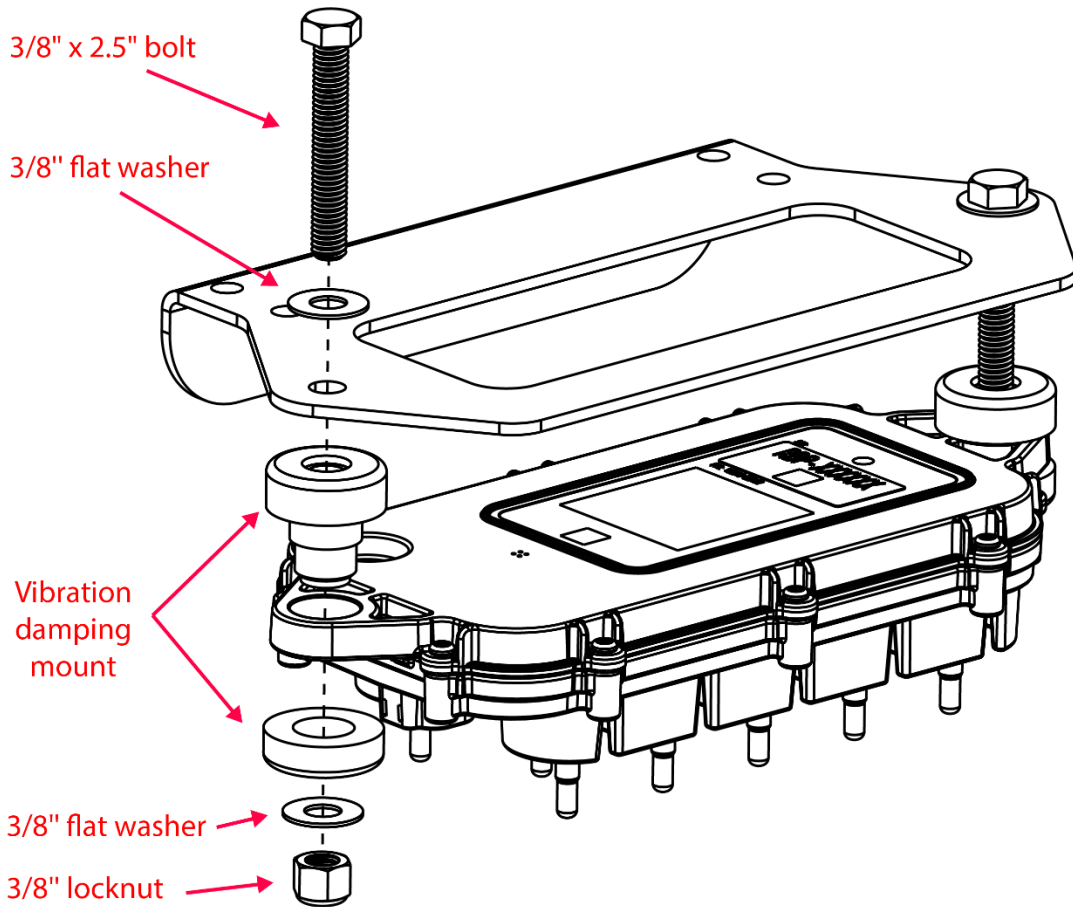


Figure 15: Securing ECU to SR-750 bracket

2. Mount one ECU per meter using 3/8" x 1.25" carriage bolts (356060-000457), 3/8" flat washers (352012-000031), and 3/8" locknuts (352011-000045) to secure the brackets to the existing holes on the frame flange. Hand tighten.
3. Adjust the assembly as needed and fully tighten the hardware.

4. Connecting Auditory Tubes to ECUs

The auditory tubes on the sensors allow sound to be transmitted from the sensor to the ECU.

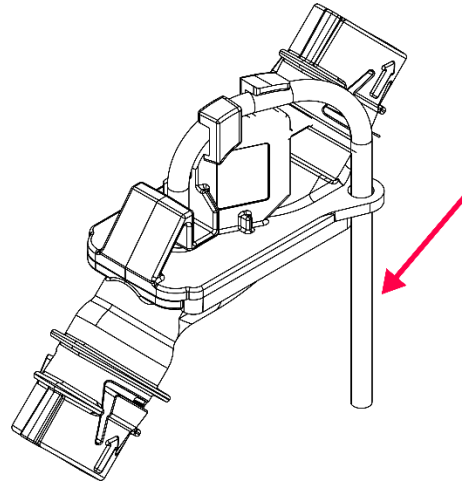


Figure 16: Auditory tube

Tools Needed

- Pliers
- Paint pen or other permanent marking tool (optional)

Connecting Auditory Tubes to ECUs

IMPORTANT: Do not cut or change the length of the auditory tubes. This will cause incorrect readings.

1. Remove the caps from the ECU ports that you will be using, beginning with ECU port 1.
 - **Standard (manifold) installation:** Use one ECU port per sensor on the manifold. The number of ECUs you use depends on the number of runs per manifold.

Runs per Manifold	ECUs
7 or fewer	1 ECU for 2 manifolds
8-14	1 ECU per manifold
More than 14	2 ECUs per manifold

- **SR-750 installation:** Use 1 ECU (12 ports) per meter.
- **Other on-frame tanks:** Use 1 ECU per meter section.

2. Locate the auditory tube of the sensor that is closest to the tractor when facing the back of the tractor (labeled “1” in Figure 17) and route it toward the ECU. connect the auditory tube to the port labeled “1”. Make sure that the hose is not kinked.

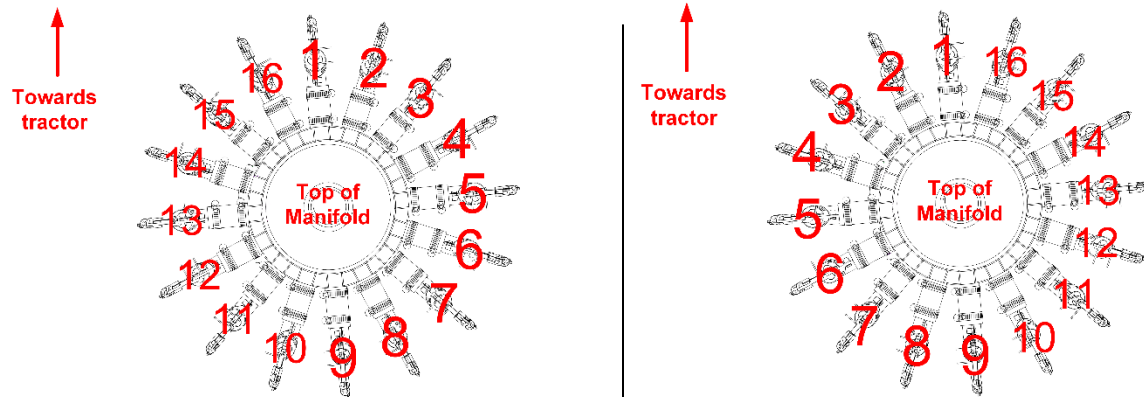


Figure 17: Order to connect flow sensors to ECU

Default order on left (clockwise), Reverse order on right (counterclockwise)

3. **Optional:** Mark the flow sensor hose with the ECU port number that the sensor is connected to.
 4. Continue connecting auditory tubes to the ECU, working clockwise around the manifold as shown in Figure 17.
- NOTE:** If you connect ports in the reverse order, you can change the run direction while configuring the system in the app.
5. Make sure that unused ECU ports are covered with the caps originally supplied on the ECU.



WARNING: Damage can occur, and warranty may be voided if unused ports are not covered.

5. Installing the Work Switch

The work switch signals to the app when the implement is in or out of the ground.



Figure 18: Work switch

Provided Parts

Part Name	Part Number	Quantity
Work switch assembly	353070-000534	1

Tools Needed

- None

Installation Location

Installed in a location where the work switch tilts from one end to the other when the toolbar is changing from raised to lowered positions.



Figure 19: Work switch mounting location

5.1. Installing the Work Switch

The work switch is a mercury switch, meaning the switch is engaged when the mercury inside is tilted toward the wires and it contacts the electrical leads.

Mount the work switch (353070-000534) in a location where the work switch tilts from one end to the other when the toolbar is changing from raised to lowered positions.

NOTE: Work switch installation is optional on SR-750 machines.

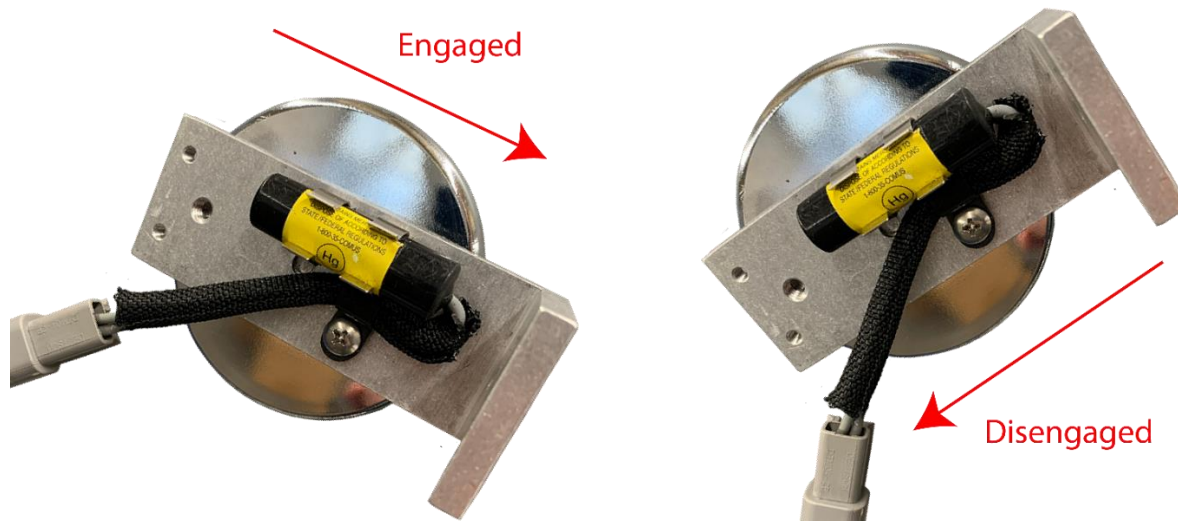


Figure 20: Work switch functionality

Determining Work Switch Method

The work switch uses one of two methods to determine when the implement is in the ground:

- **Default method**
 - The work switch is **tilted toward the wires** when the implement is **in the ground**.
 - The work switch is **tilted away from the wires** when the implement is **out of the ground**.
- **Inverted method**
 - The work switch is **tilted away from the wires** when the implement is **in the ground**.
 - The work switch is **tilted toward the wires** when the implement is **out of the ground**.

Take note of your work switch method. It will be configured during system configuration in the app. See the ReconBlockage Operator's Guide (document number 600890-000075) for instructions.

5.2. Verifying Work Switch Installation

Refer to Section 2.3 of the Operator's Guide for instructions to verify that the work switch was correctly installed and configured.

6. Installing the Gateway

The gateway is a computing platform that sends ECU data to the iPad through the Wi-Fi antenna.

Provided Parts

Part Name	Part Number	Quantity
Gateway 260	153010-000085	1
1/4" nut	352011-000040	4
1/4" flat washer	352012-000024	8
Gateway mounting bracket	353070-000079	1
U-bolt	356060-000152 <i>or</i> 356060-000403	2
3/8" washer	356060-000239	4
3/8" locknut	356060-000425	4
1/4" x 2-1/2" screw	356060-000303	4

Tools Needed

- Standard wrench set

Installation Location

Mounted on the tractor or on top of the air cart. Refer to the steps below for specific mounting locations for your air cart configuration.

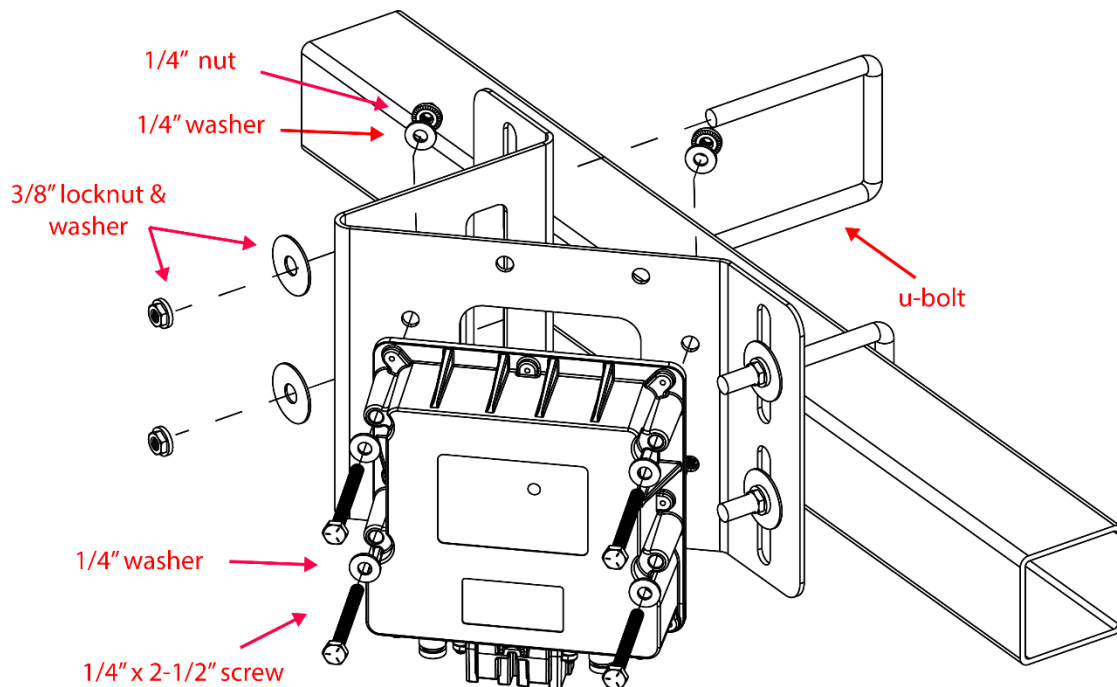
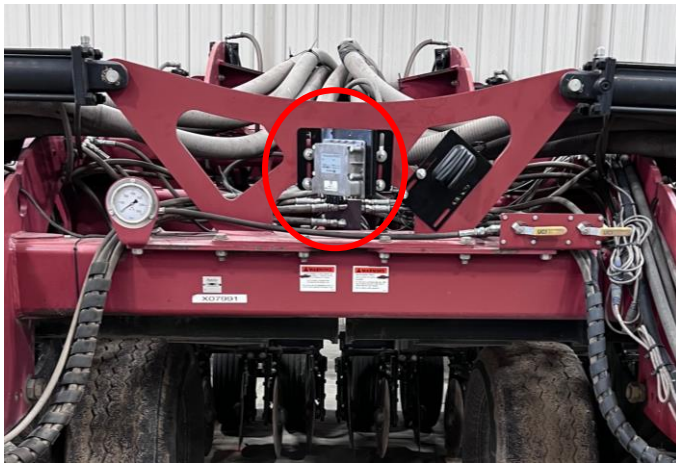


Figure 21: Mounting a gateway

1. Position the gateway (153010-000085) on the mounting bracket (353070-000079). The gateway can be mounted on the bracket in any direction, but the connectors should not face up when the bracket is mounted on the air cart or tractor.
2. Secure the gateway to the mounting bracket using the provided screws (356060-000303), washers (352012-000024), and nuts (352011-000040) as shown in Figure 21.
3. Mount the gateway according to the instructions below for your air cart configuration. The mounting location must be at least 8 inches (20 cm) away from the operator to ensure safe operation.
 - **Tow-behind:** Mount the gateway on the toolbar. Alternatively, mount the gateway on the exterior frame of the tractor. Make sure that the gateway is within reach of the antenna cables. Secure it to the mounting location using u-bolts, washers (356060-000239), and locknuts (356060-000425).
 - **Tow-between:** Mount the gateway on the rear of the air cart catwalk, facing rearward. Make sure that the gateway is within reach of the antenna cables. Secure it to the mounting location using u-bolts, washers (356060-000239), and locknuts (356060-000425).



Example tow-behind mounting location
(on the toolbar)



Example tow-behind mounting location
(on the frame)



Example tow-between mounting location

Figure 22: Example gateway mounting locations

7. Installing the Wi-Fi Antenna

The Wi-Fi antenna sends information from the ReconBlockage™ system to the iPad.

Provided Parts

Part Name	Part Number	Quantity Needed
SMA cap	251015-000139	2
Wi-Fi antenna	252005-000010	1
Antenna bracket	353070-000083	1
U-bolt	356060-000152	2
3/8" washer	356060-000239	4
3/8" locknut	356060-000425	4

Tools Needed

- Standard wrench set

Installation Location

Mounted on the rear of the tractor or on top of the air cart. Refer to the steps below for specific mounting locations for your air cart configuration.

Installing the Wi-Fi Antenna

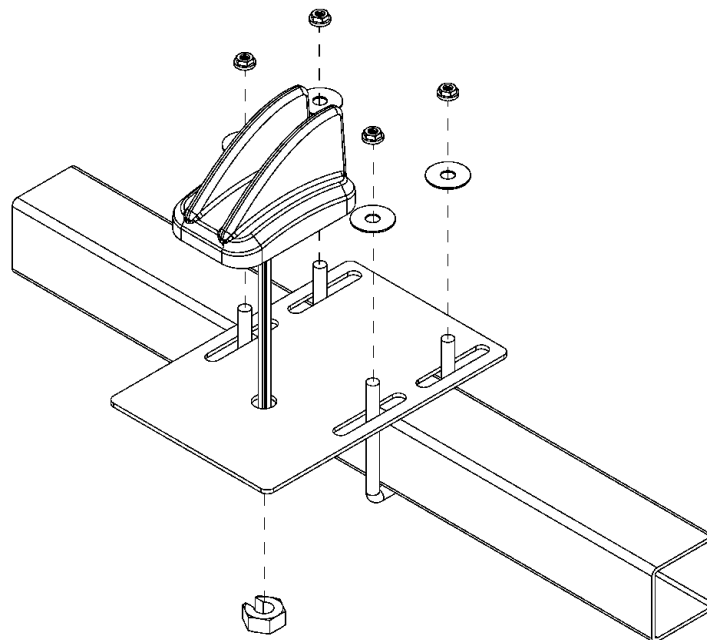
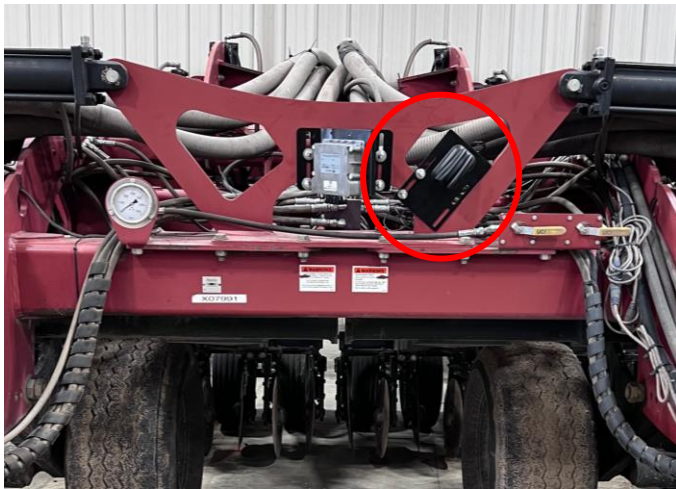


Figure 23: Mounting the Wi-Fi antenna

1. Thread the Wi-Fi antenna (252005-000010) cables through the hole in the mounting bracket (353070-000083) and through the nut. Tighten the nut to secure the antenna to the bracket. Do not over-torque.
2. Mount the antenna and bracket according to the instructions below for your air cart configuration. The mounting location must be at least 2 feet (60 cm) away from the operator and at least 8 inches (20 cm) from the gateway to ensure safe operation.
 - **Tow-behind cart:** Mount the bracket high on the exterior of the rear of the tractor cab or on the toolbar using u-bolts (356060-000152). Secure with washers (356060-000239) and locknuts (356060-000425).
 - **Tow-between cart:** Mount the bracket on the air cart catwalk using u-bolts (356060-000152). Secure with washers (356060-000239) and locknuts (356060-000425).



Example tow-behind mounting location
(on the toolbar)



Example tow-behind mounting location
(on the frame)



Example tow-between mounting location

Figure 24: Example Wi-Fi antenna mounting locations

3. Connect the Cellular Main and Wi-Fi/BT antenna cables to the gateway.

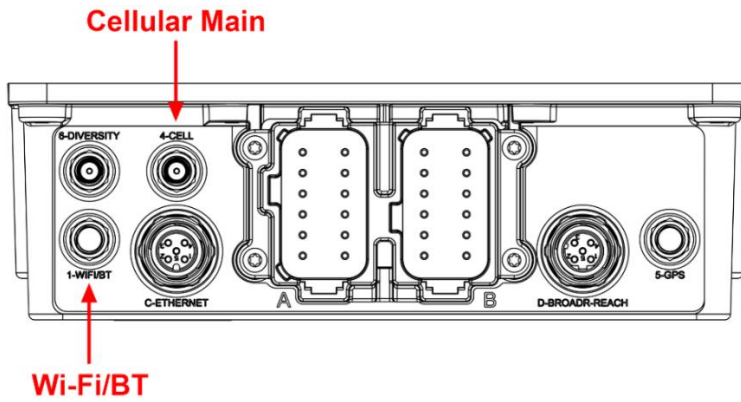


Figure 25: Gateway connections

4. Coil and zip-tie the 433 MHz antenna cable to the other cables.
5. Cover connectors 5 and 6 with the provided caps (251015-000139).

8. Installing Harnessing

The wiring harnesses provide power from the tractor to ReconBlockage™.

NOTE: The gateway uses the tractor's key switch for proper operation. Make sure that the key switch is wired to the key switch terminal of the 3-pin power outlet in the tractor cab.

IMPORTANT: The instructions in this section are for installations on machines with manifolds. To install on machines with an on-frame tank, refer to the wiring diagrams at the end of Appendix A.

Provided Parts

Part Name	Part Number	Quantity
4 pin terminator plug	153510-000051	2
Cable tie	355032-000004	varies
Work switch extension harness (optional)	353050-000011	1
20' ECU harness	353050-000097	1/ECU
Power harness	353050-000098	1 (tow-behind cart) <i>or</i> 2 (tow-between cart)*
10' ECU harness (dual-shoot and triple-shoot systems only)	353050-000099	1/ECU
Tractor harness	353050-000100	1
Gateway extension harness (tow-between carts only)	353050-000103	2*
Gateway harness	353050-000108 <i>or</i> 353050-000101	1
3 pin CAN terminator plug (used with gateway harness 353050-000101 only)	356070-000104	2

*Contained in the Tow-Between Extension kit (153010-000167) (sold separately).

Tools Needed

- None

Installation Location

Refer to Appendix A for wiring diagrams for your implement type.

8.1. Installing 10' ECU Harnesses (353050-000099) (dual-shoot and triple-shoot only)

NOTE: If you have a single-shoot system, skip this step.

1. Connect **S2** of a 10' ECU harness (353050-000099) to each **4-pin connector** on a Product A ECU.
2. Connect **S3** of the 10' ECU harness to the **4-pin connector** on each Product B ECU near it.
3. **Triple-shoot:** Connect **S2** of another 10' ECU harness to the **4-pin connector** on each Product C ECU.
4. **Triple-shoot:** Connect **S1** of the first 10' ECU harness to **S3** of the second 10' ECU harness.

8.2. Installing 20' ECU Harnesses (353050-000097)

1. Connect **S3** of a 20' ECU harness (353050-000097).
 - **Dual-shoot and triple-shoot:** Connect **S3** of a 20' ECU harness to each open **S1** connector on a 10' ECU harness.
 - **Single-shoot:** Connect **S3** of a 20' ECU harness to each ECU's **4-pin connector**.
2. Locate the two centermost ECUs, then connect the gateway harness.
 - a. Connect **S4** of the gateway harness to **S1** of the left-center 20' ECU harness.
 - b. Connect **S3** of the gateway harness to **S1** of the right-center 20' ECU harness.
3. Chain the remaining 20' ECU harnesses together by connecting **S1** to **S2**.
4. Insert a **4 pin terminator plug** (153510-000051) into **S2** of the leftmost and the rightmost 20' ECU harnesses at the end of the implement.

8.3. Installing the Gateway Harness (353050-000108 or 353050-000101)

NOTE: Gateway extension harnesses for tow-between carts are found in the Tow-Between Extension kit (sold separately).

1. Connect **S6** of the gateway harness (353050-000108 or 353050-000101) to the **connector on the work switch**.

NOTE: If S6 does not reach the work switch, connect a work switch extension harness (353050-000011) between S6 and the work switch.

2. Connect **S1** of the gateway harness.
 - a. **Tow-behind:** Connect **S1** of the gateway harness to **Port A** of the gateway.
 - b. **Tow-between:** Connect **S1** of the gateway harness to **S3** of a gateway extension harness (353050-000103).

3. Connect **S2** of the gateway harness.
 - a. **Tow-behind:** Connect **S2** of the gateway harness to **Port B** of the gateway.
 - b. **Tow-between:** Connect **S2** of the gateway harness to **S4** of a gateway extension harness.
4. If your gateway harness has two open CAN terminator receptacles and you received CAN terminator plugs with your shipment, insert a **3 pin CAN terminator plug** (356070-000104) into **T1** and **T2** of the gateway harness.

8.4. Installing the Gateway Extension Harnesses (353050-000103) (Tow-Between Only)

NOTE: If you have a tow-behind air cart, skip this step.

1. Connect **S2** of the gateway extension harness that you just installed to **S4** of another gateway extension harness.
2. Connect **S1** of the gateway extension harness that you just installed to **S3** of another gateway extension harness.
3. Connect **S1** of the second gateway extension harness to **Port A** of the gateway.
4. Connect **S2** of the second gateway extension harness to **Port B** of the gateway.

8.5. Installing the Power Harness (353050-000098)

NOTE: An additional power harness for tow-between carts is found in the Tow-Between Extension kit (sold separately).

1. Connect **S2** of the power harness (353050-000098) to **S5** of the gateway harness.
2. If you're installing on a **tow-between cart**, connect **S1** of the power harness to **S2** of another power harness.

8.6. Installing the Tractor Harness (353050-000100)

1. Connect **S2** of the tractor harness (353050-000100) to **S1** of the closest power harness (if you have more than one).
2. Connect **S1** of the tractor harness to the tractor's **three-pin power outlet** in the tractor cab.

NOTE: If your tractor does not have a convenience plug, contact your dealer for assistance.

8.7. Securing Loose Harnessing

Coil any loose harnessing around a hydraulic line or electrical wire. Secure all harnessing to the tractor and/or implement using cable ties (355032-000004)

9. Installing the iPad Mount and App

9.1. Installing the iPad Mount

Provided Parts

Part Name	Part Number	Quantity needed
USB charger	254040-000014	1
Tablet mount arm	352004-000003	1
Rail attachment	352004-000004	1
iPad mount (for 9"-11.5" iPads)	356070-000089	1

Tools Needed

- Phillips screwdriver

Installation Location

Installed on a mounting bar in the tractor cab, or anywhere in the tractor cab where it is easily visible and within reach of the operator while seeding.




Figure 26: Installing the iPad mount

Installing the iPad Mount

1. Connect the iPad mount (356070-000089) to the tablet mount arm (352004-000003) and rail attachment (352004-000004) according to the instructions provided with the mount. Then, mount it to the cab's mounting bar or other desired installation location.
2. Place the iPad into the iPad mount.
3. Plug the USB charger (254040-000002) into the tractor's cigarette lighter socket. Use it to keep the iPad charged while using the system.

9.2. Downloading the ReconHub app

To interface with the system, download the ReconHub app from the Apple App Store and install it onto your iPad.

1. Connect the iPad to the internet.
2. Tap the **App Store** icon from the iPad's home screen.
3. Tap **Search** in the bottom right corner of the App Store screen.
4. Type *ReconHub* in the search field, then tap **Search**.
5. Tap the ReconHub app when it appears in your search results. 
6. Tap the **Get** button, then tap **Install**. Enter your Apple ID and password, if prompted. A progress bar will appear over the app's icon while it is downloading.

IMPORTANT: If you are prompted to enable location services, select **Only While Using the App** or **Always Allow**. If you select **Don't Allow**, this will prevent the iPad from connecting to the gateway network.

IMPORTANT: If you are prompted to allow the app to find and connect to devices on your local network, select **OK**. If you select **Don't Allow**, this will prevent the iPad from connecting to the gateway network.

9.3. Connecting the iPad to the Wireless Network

The iPad must be in close range of the gateway and connected to the gateway's wireless network to communicate with the system.

Make sure that your iPad is connected to the wireless network at the beginning of every planting session. This is especially important if your iPad is connected to another network, such as a home wireless network, between sessions.

To connect the iPad to the wireless network:

1. Make sure that you have power to the gateway. The gateway's LED is green when it's done starting up.
2. Tap the **Settings** icon on your iPad's home screen.

3. Tap **Wi-Fi**. Then, connect to the gateway's network.

If it's your first time connecting to the gateway:

- a. Connect to the **IAS-Base-Image-XXXXXX** network.
"XXXXXX" represents the gateway's serial number.
- b. Open the ReconHub app from the iPad's Home screen. Once the gateway is configured for ReconBlockage™, close the app and navigate back to the iPad's Wi-Fi settings.
- c. Connect to the **PrP-XXXXXX** network.

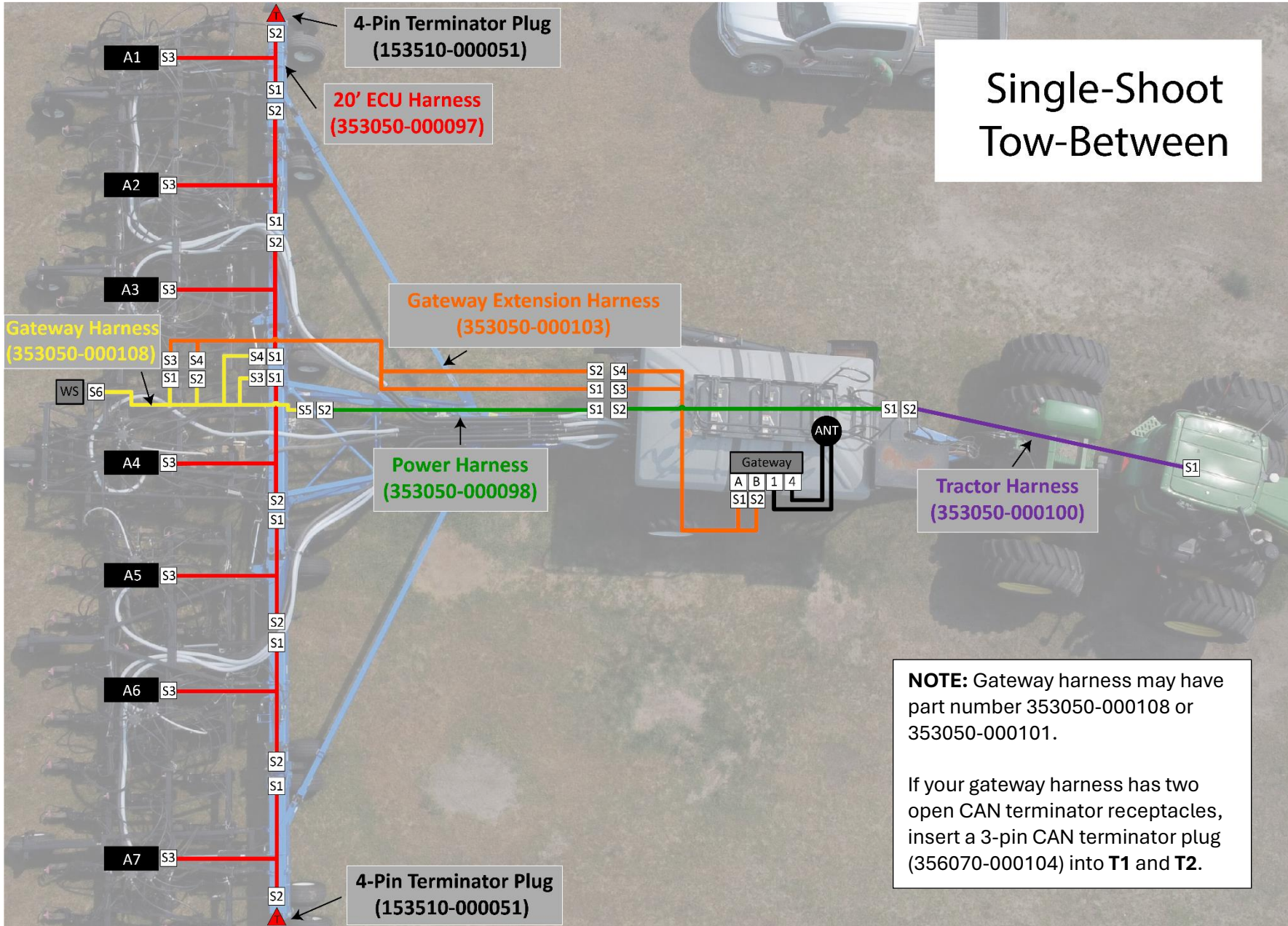
If you've connected to the gateway before: Connect to the **PrP-XXXXXX** network.

4. Press the iPad's Home button or swipe up and open the ReconHub app.

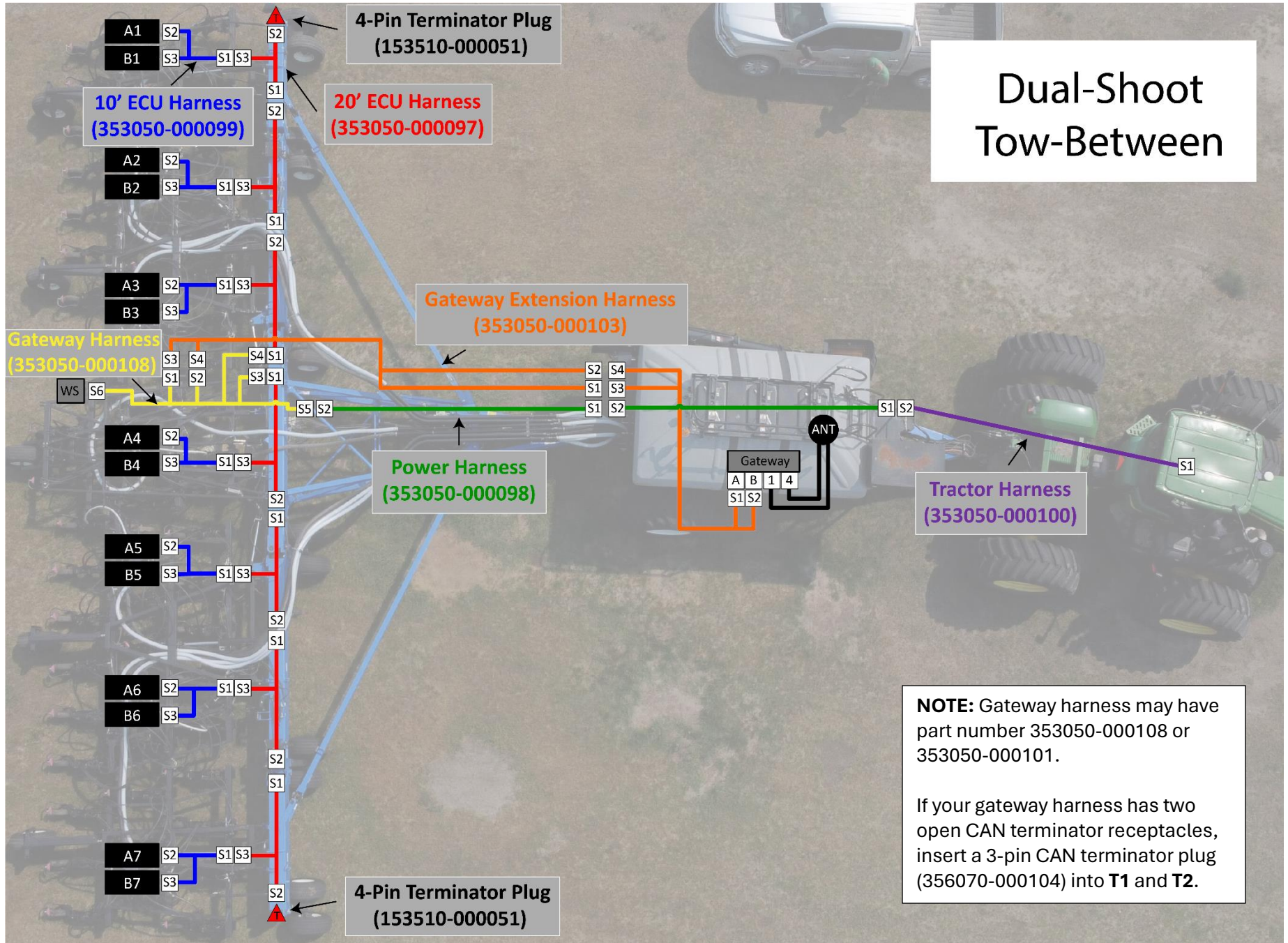
For instructions to configure and use ReconBlockage after installation, see the ReconBlockage Operator's Guide (600890-000015) from the app's Manuals screen.

Appendix A: Wiring Harness Diagrams

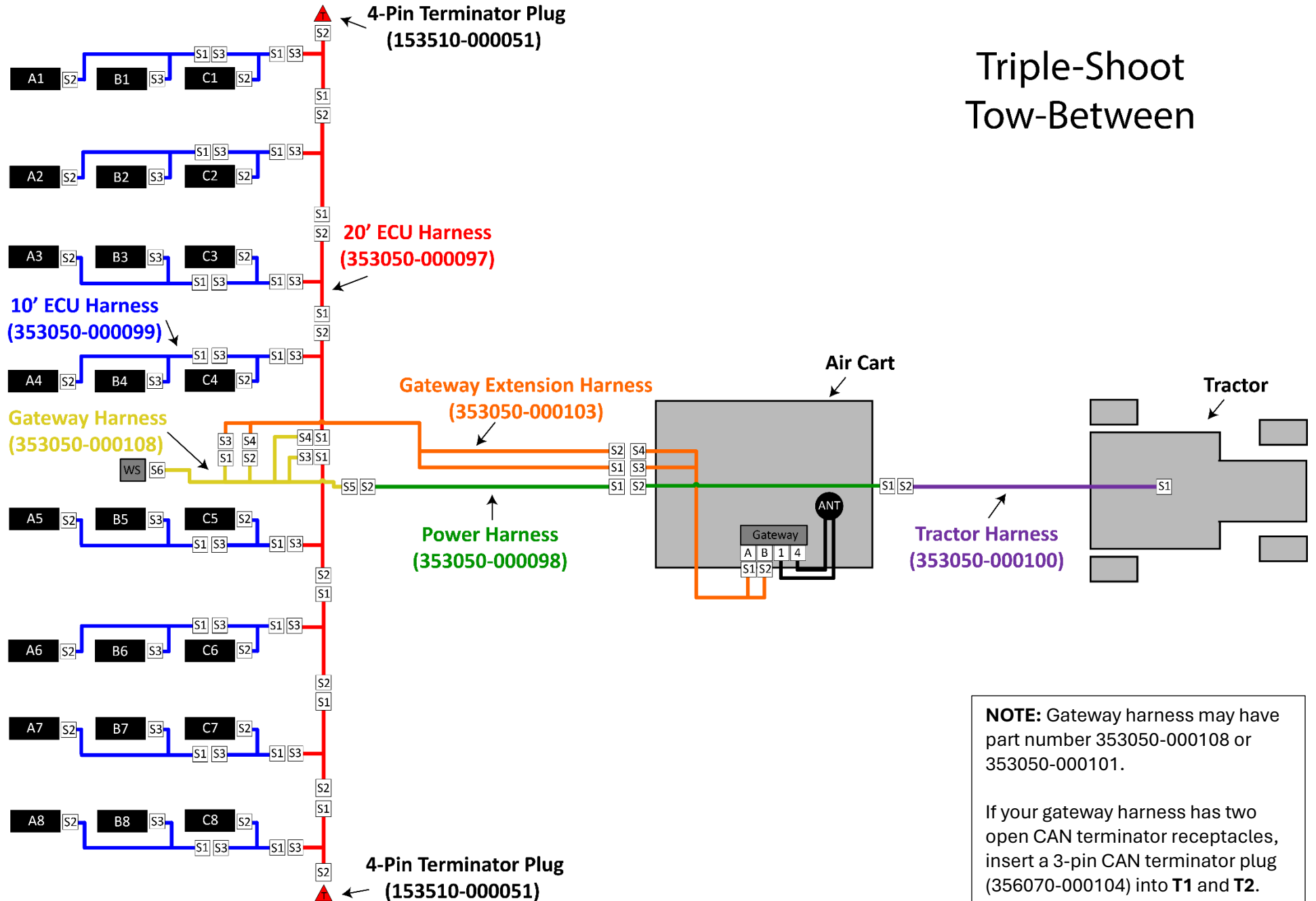
Single-Shoot Tow-Between

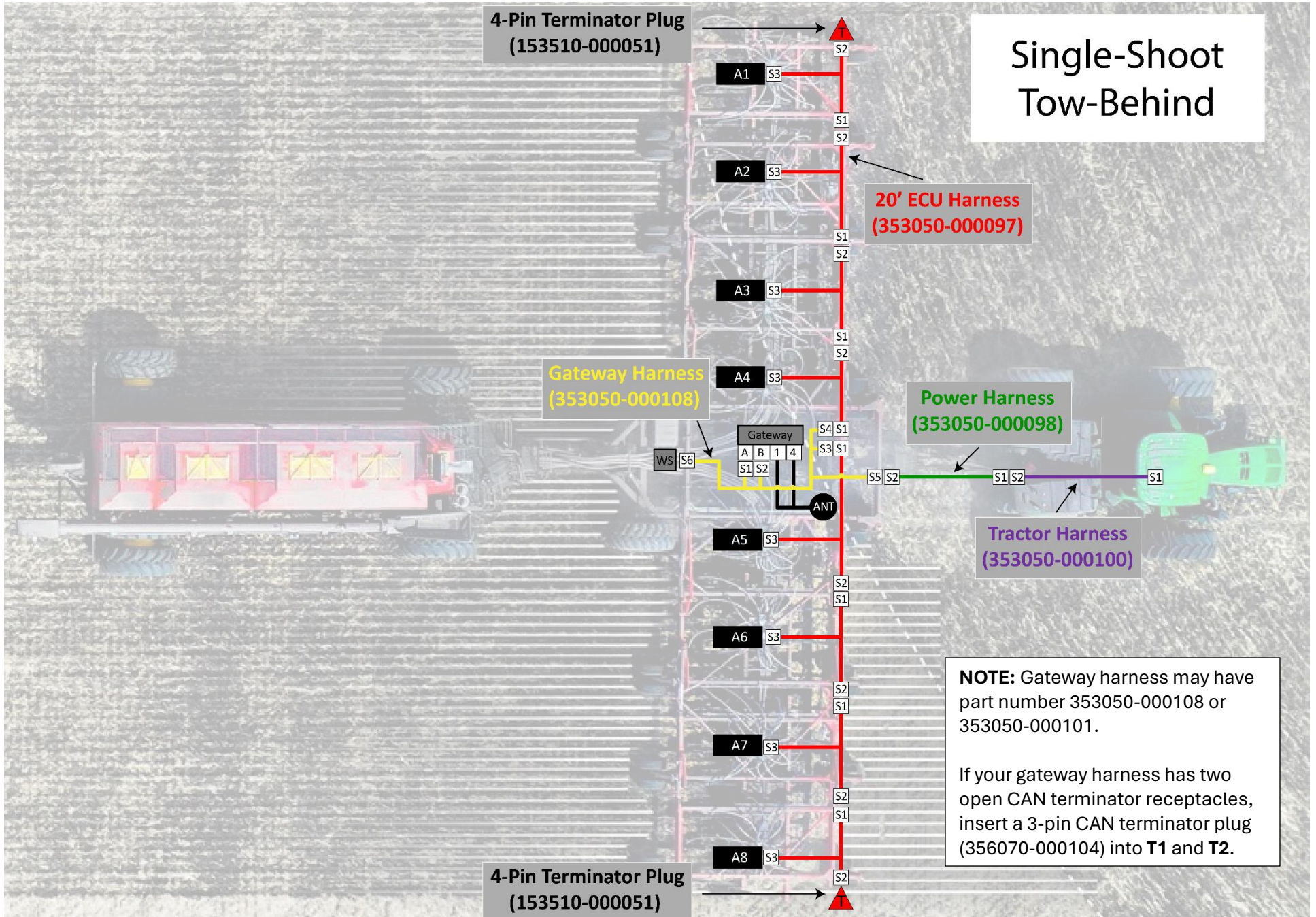


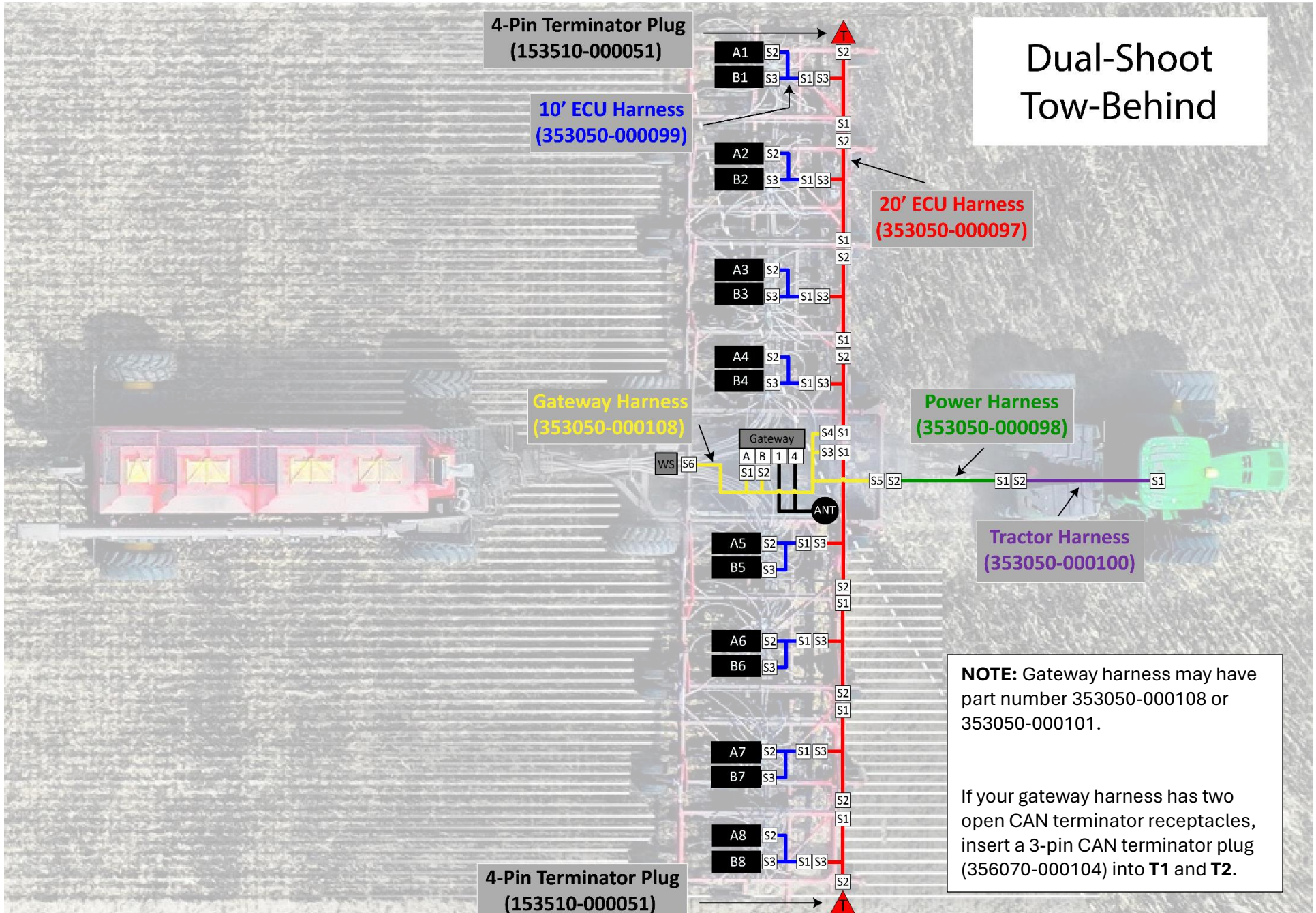
Dual-Shoot Tow-Between



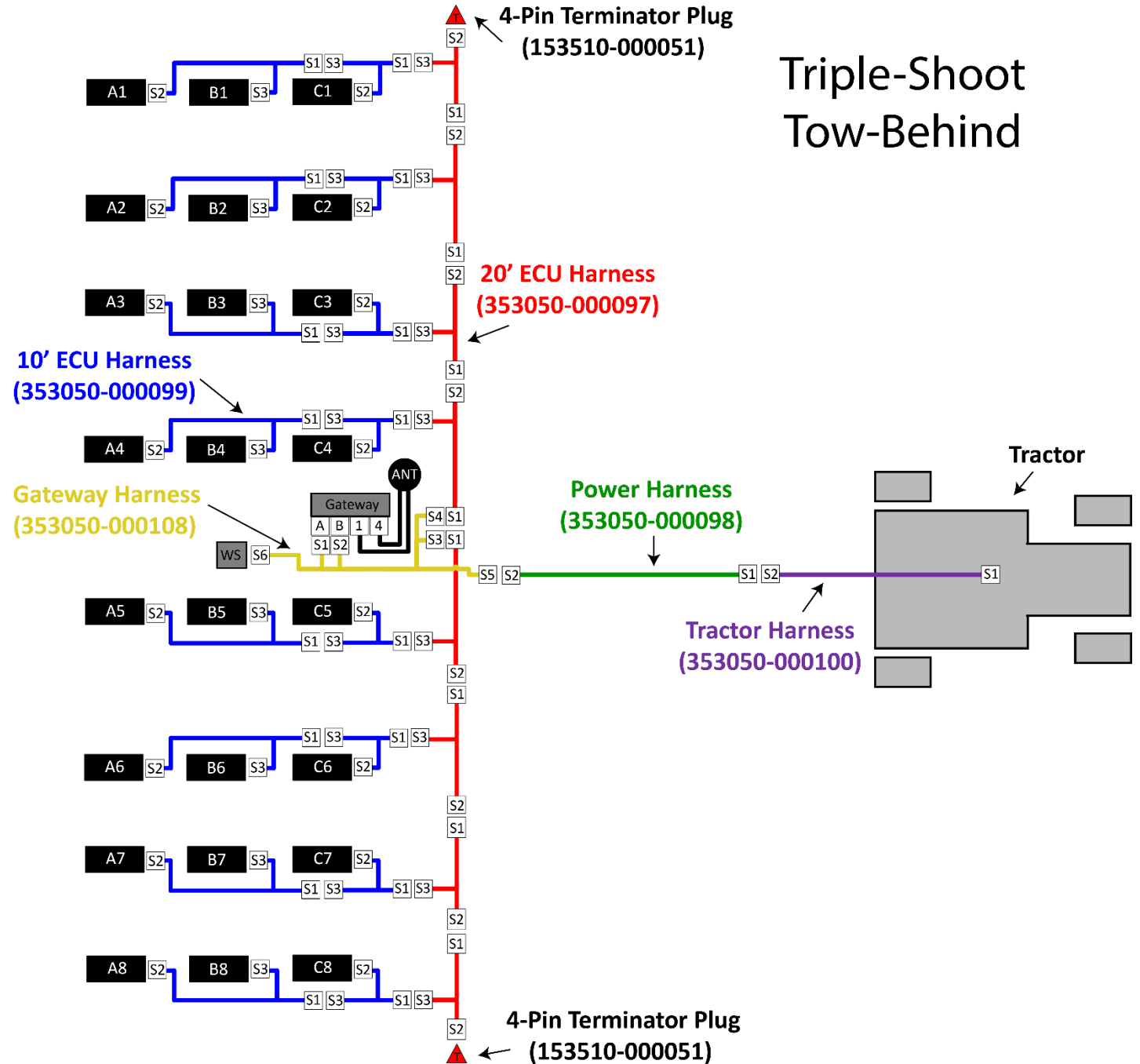
Triple-Shoot Tow-Between



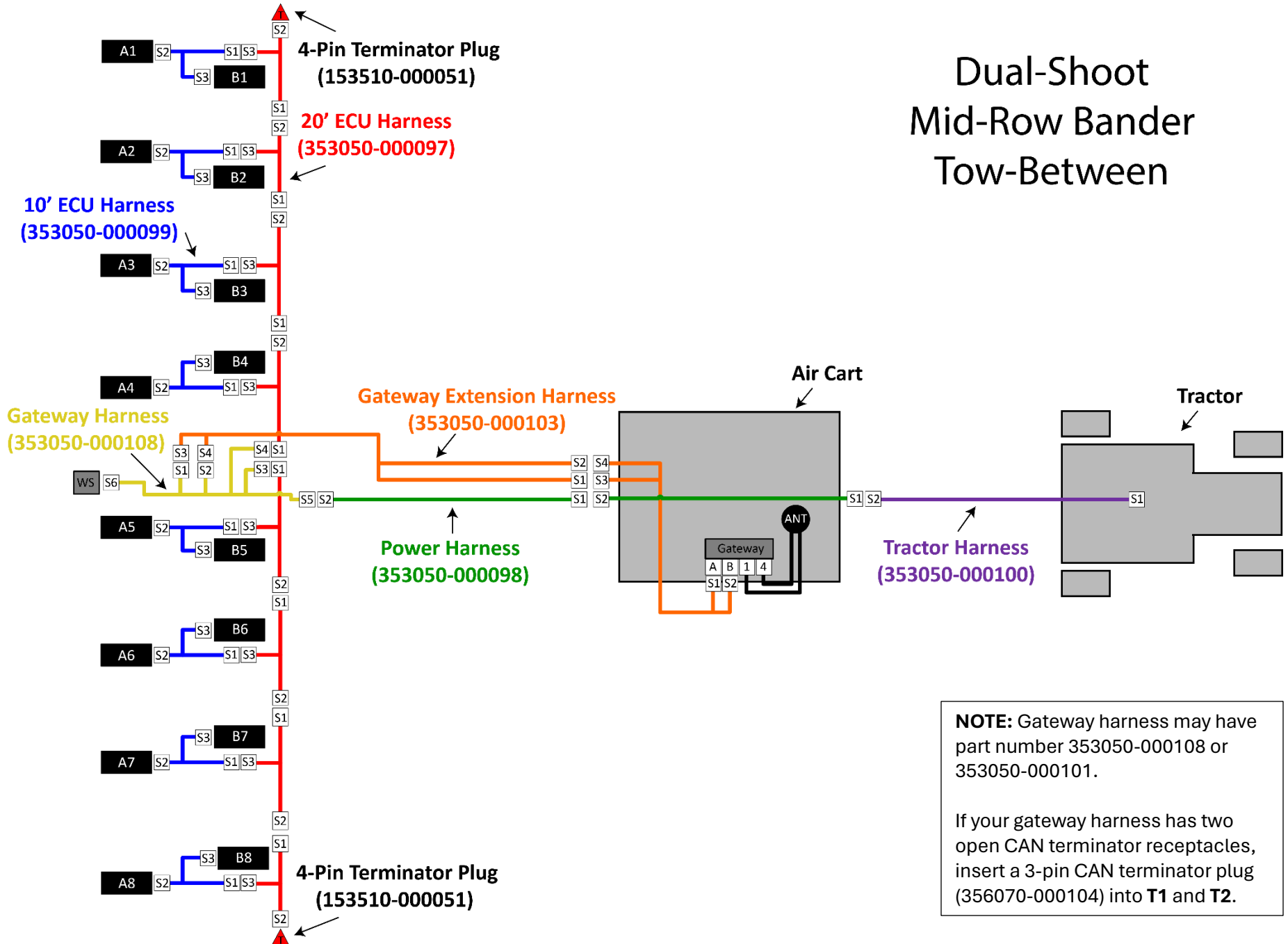




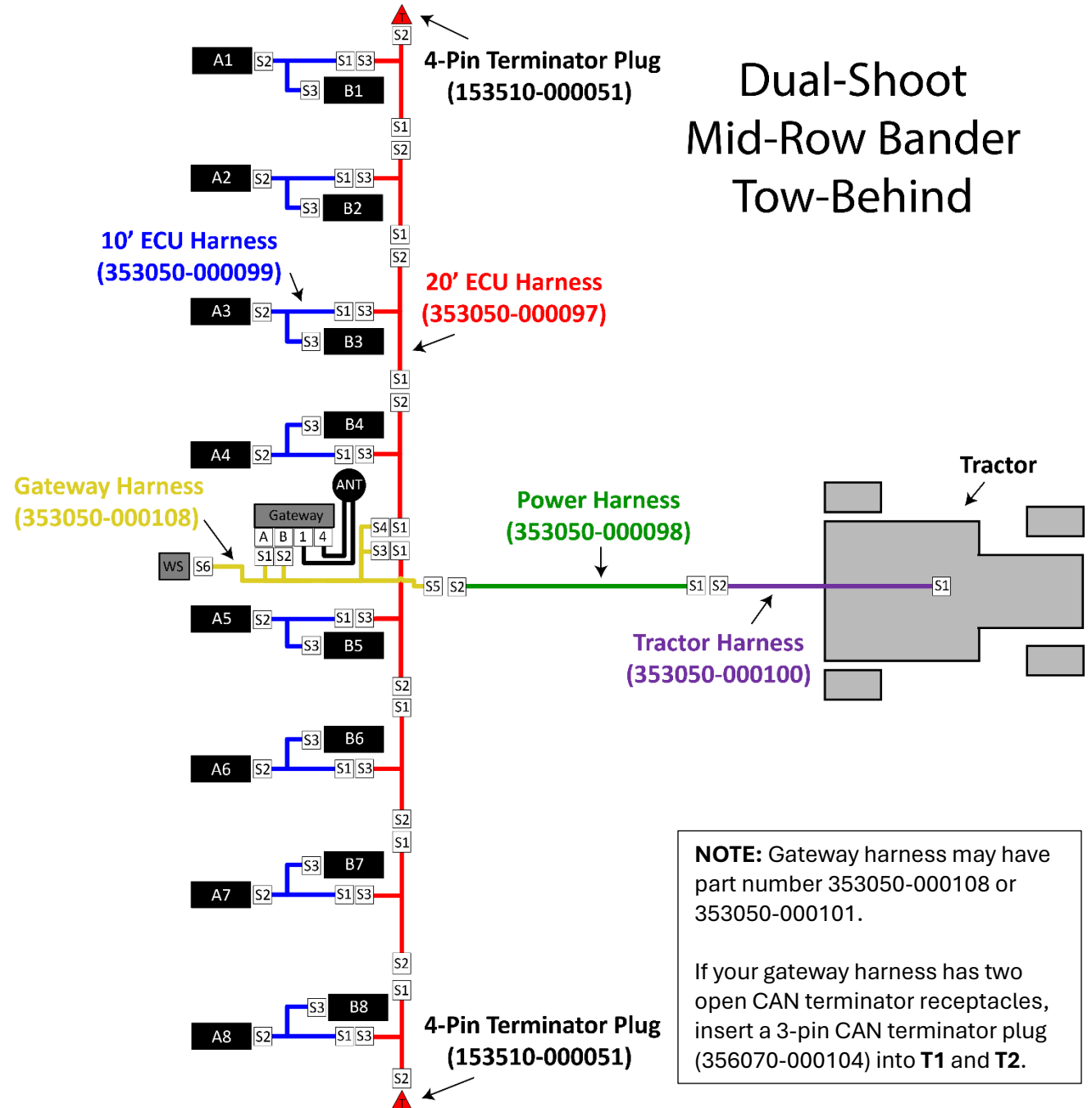
Triple-Shoot Tow-Behind



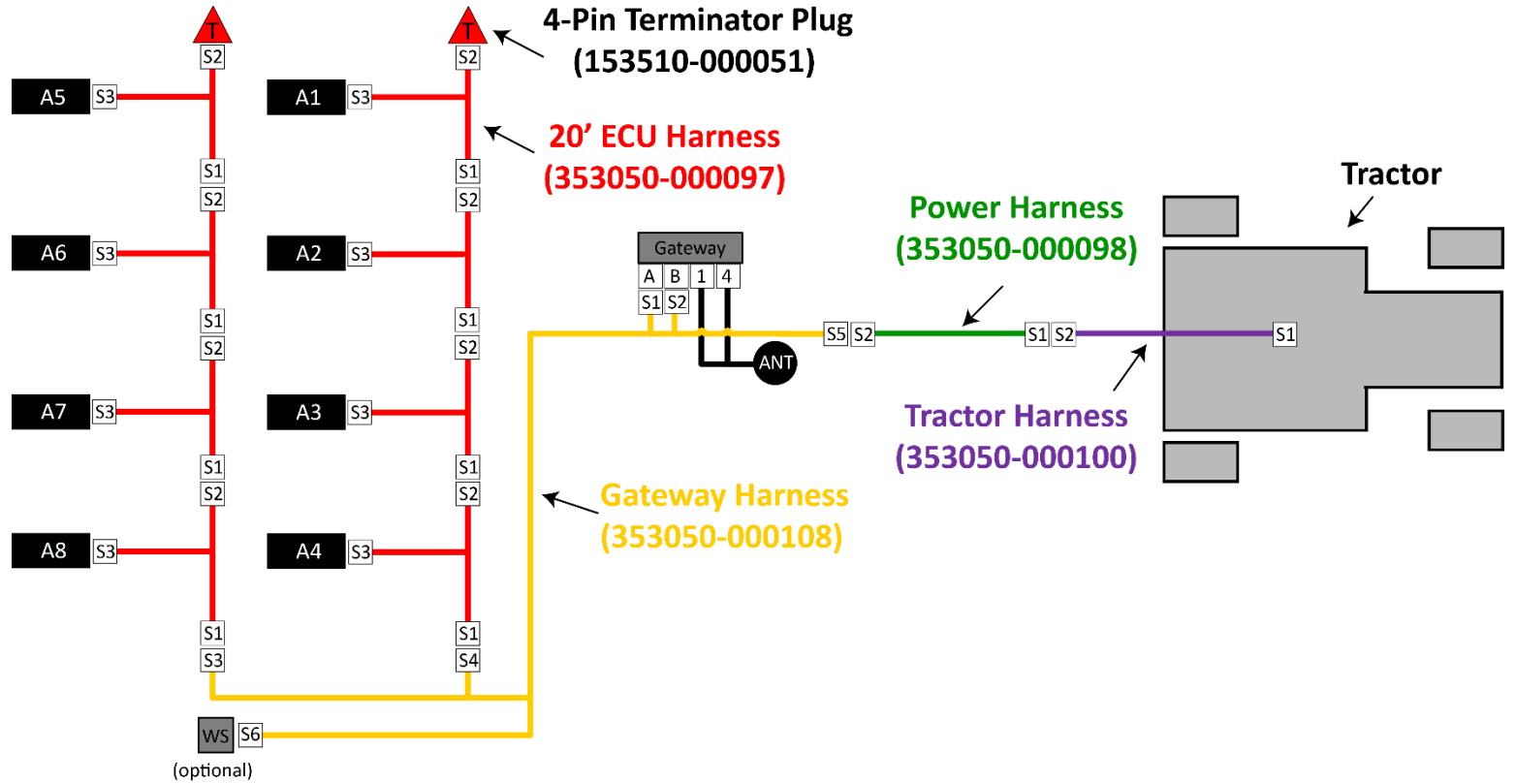
Dual-Shoot Mid-Row Bander Tow-Between



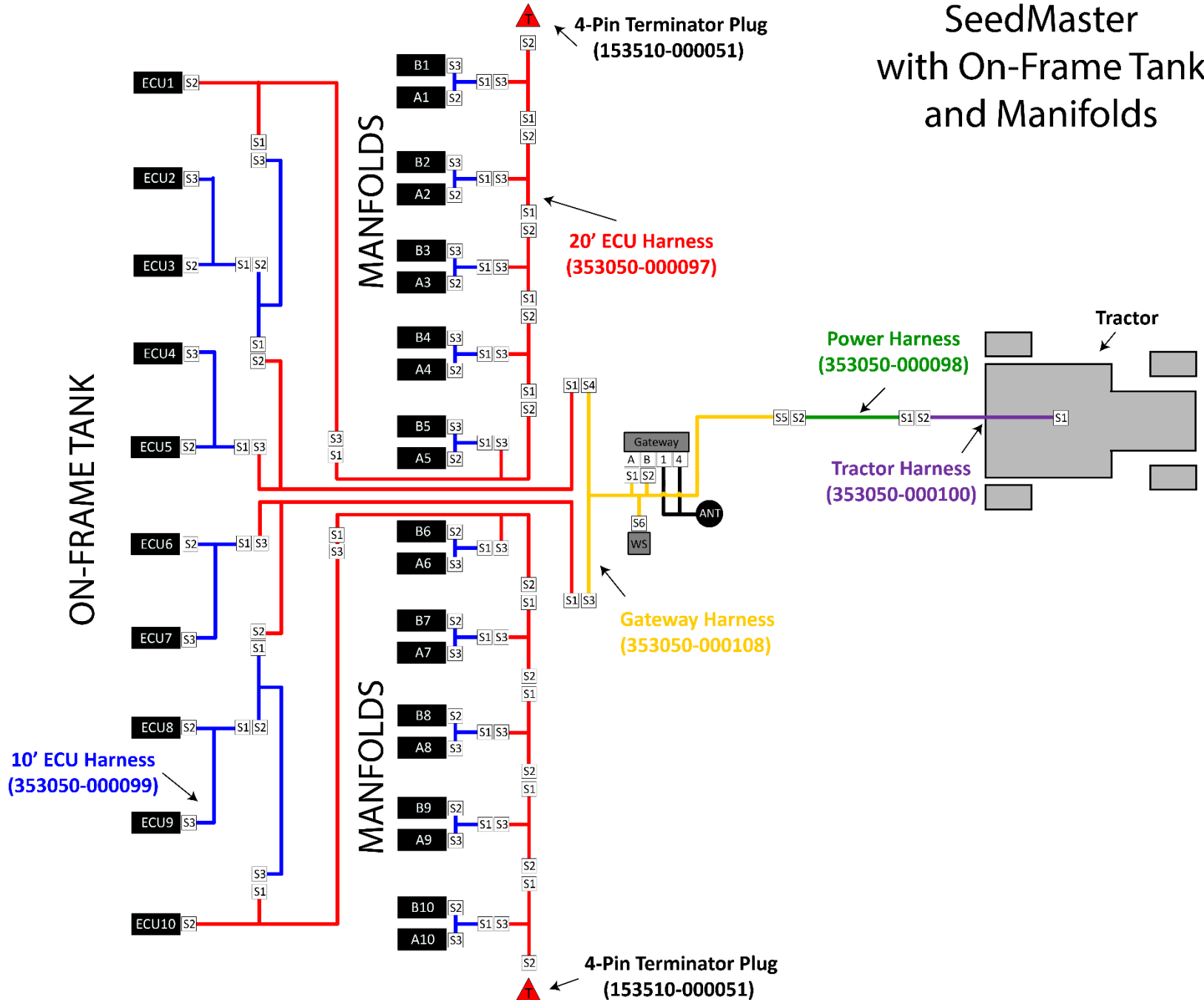
Dual-Shoot Mid-Row Bander Tow-Behind



SeedMaster SR-750



SeedMaster with On-Frame Tank and Manifolds



Appendix B: System Configuration Table

Use the following table to record notes about your system configuration. To view your current configuration in the app, tap **Settings > General > Machine Setup**.

Primary or Section #	ECU Serial #	# of Runs	Airstream	Notes on Ports Out of Sequence (e.g. "Run 5 on Port 12")
			A, B, or C	
			A, B, or C	
			A, B, or C	
			A, B, or C	
			A, B, or C	
			A, B, or C	
			A, B, or C	
			A, B, or C	
			A, B, or C	
			A, B, or C	
			A, B, or C	
			A, B, or C	
			A, B, or C	
			A, B, or C	
			A, B, or C	
			A, B, or C	
			A, B, or C	
			A, B, or C	
			A, B, or C	
			A, B, or C	