



Bin Status

Indicates if the bin is on or off. Also indicates if the bin is full or empty.

Desired Rate

Desired product rate of flow.

Actual Rate

Actual product rate of flow.

Fan Speed

Master Apply Status

The screenshot displays the Engage® SpreadControl interface with the following data:

Engage® SpreadControl			
Bin 1	Bin 2	Bin MN	
ON	ON	ON	
FULL	FULL	EMPTY	
100 lbs/acre	100 lbs/acre	25 lbs/acre	
0	0	0	
1	2	3	4
3414 RPM		Task Control OFF	
Master ON		Test Speed OFF	

Section Status

Section is enabled (green) or disabled (red). If controlling sections manually, tap a section number to change status.

Task Controller Status

Select Off to manually control each section. Select On to let the system control when sections open and close.



IntelligentAg™

Quick Reference Guide - Calibrating the Funnel Boxes

At the beginning of each season, calibrate the funnel box to make sure that the funnel box sections are correctly positioned.

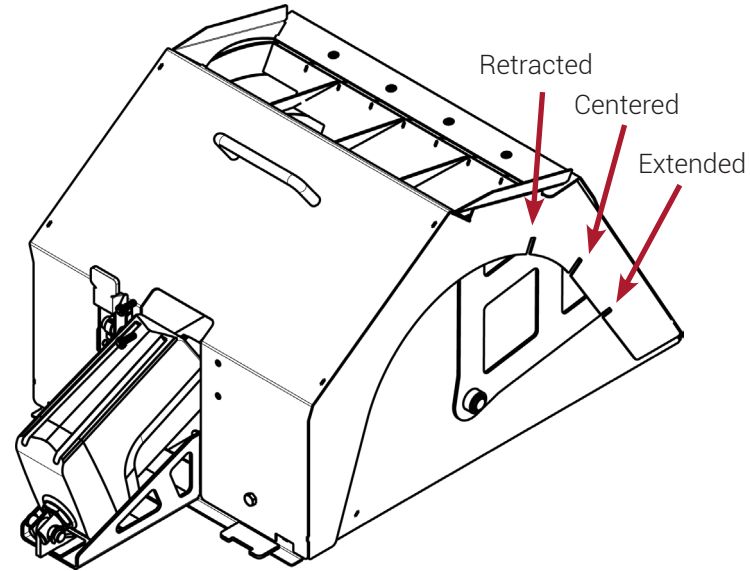
NOTE: This process is easiest with two people.

1. Press **Product** on the right navigation.
2. Press **Funnel Box Calib.**
3. Calibrate the funnel box.
 - a. Tap **Left**, then tap **Extended**.
 - b. Use the **+5**, **+1**, **-1**, and **-5** buttons to adjust the funnel box position so that the bottom of the pivot lines up with the extended position notch. The pivot material should fill in the notch cutout in the cover.
- c. Repeat the steps above for the left centered and left retracted positions. Then, calibrate all positions for the right funnel box.

Positive numbers lengthen the actuator, and negative numbers shorten the actuator.

ENGAGE®

SPREADCONTROL



600820-000038 Rev. 1.2