

Bin Status

Indicates if the bin is on or off. Also indicates if the bin is full or empty.

Desired Rate

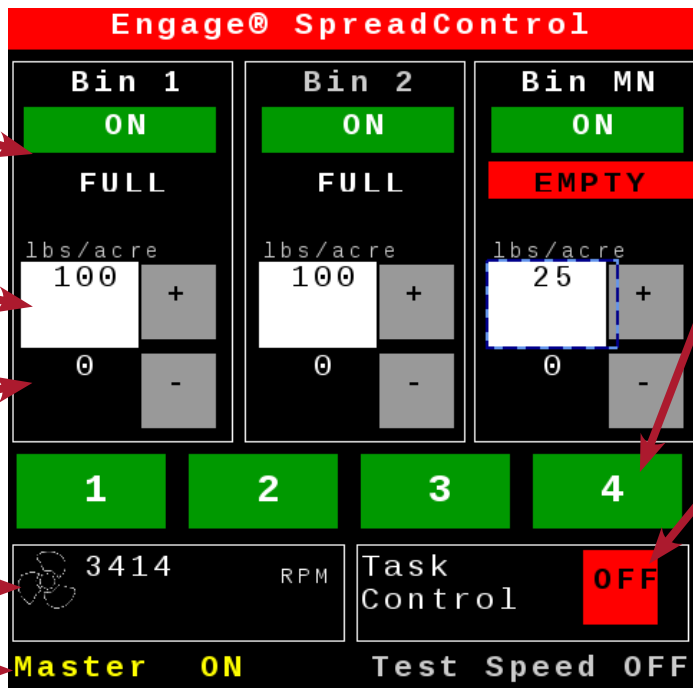
Desired product rate of flow.

Actual Rate

Actual product rate of flow.

Fan Speed

Master Apply Status



Section Status

Section is enabled (green) or disabled (red). If controlling sections manually, tap a section number to change status.

Task Controller Status

Select Off to manually control each section. Select On to let the system control when sections open and close.

Quick Reference Guide - Calibrating the Funnel Boxes

At the beginning of each season, calibrate the funnel box to make sure that the funnel box sections are correctly positioned.

NOTE: This process is easiest with two people.

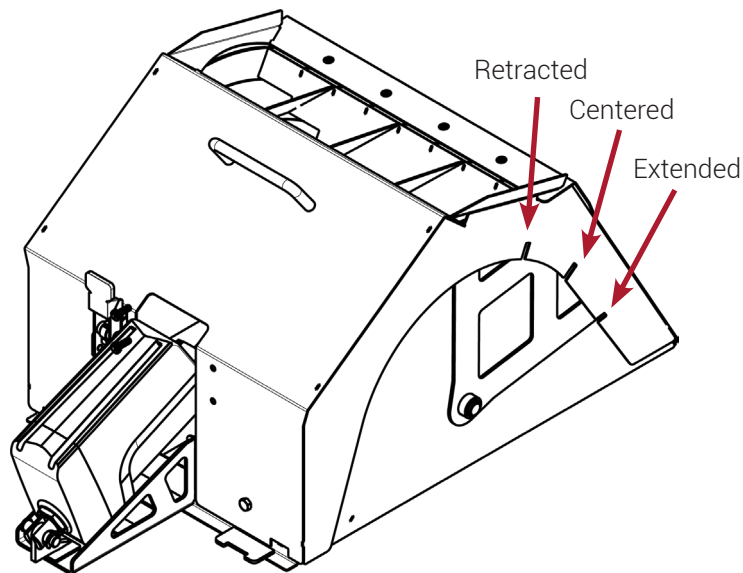
1. Press **Product** on the right navigation.
2. Press **Funnel Box Calib.**
3. Calibrate the funnel box.
 - a. Tap **Left**, then tap **Extended**.
 - b. Use the **+5**, **+1**, **-1**, and **-5** buttons to adjust the funnel box position so that the bottom of the pivot lines up with the extended position notch. The pivot material should fill in the notch cutout in the cover.

Positive numbers lengthen the actuator, and negative numbers shorten the actuator.

- c. Repeat the steps above for the left centered and left retracted positions. Then, calibrate all positions for the right funnel box.

ENGAGE

SPREADCONTROL



600820-000038 Rev. 1.0